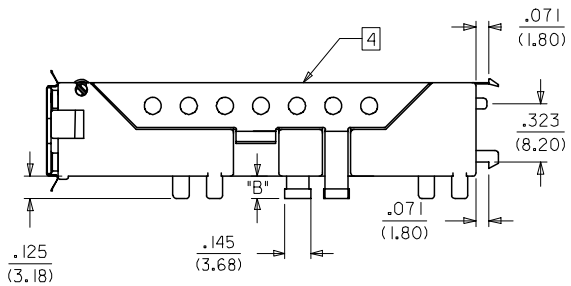
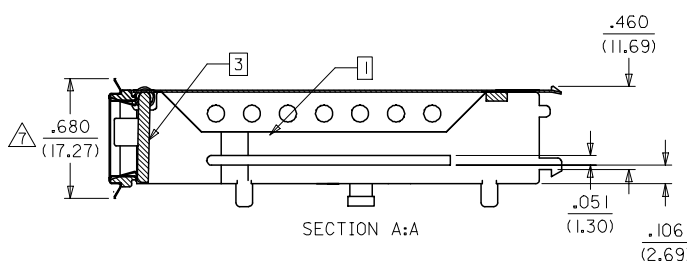
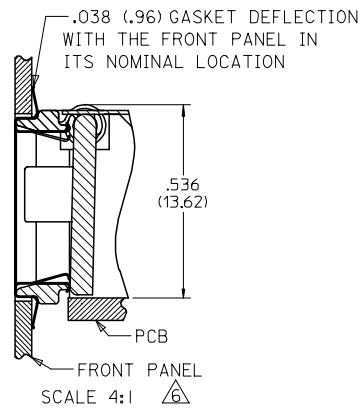
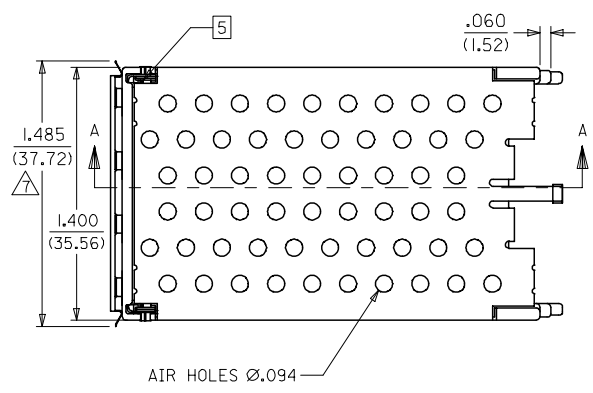
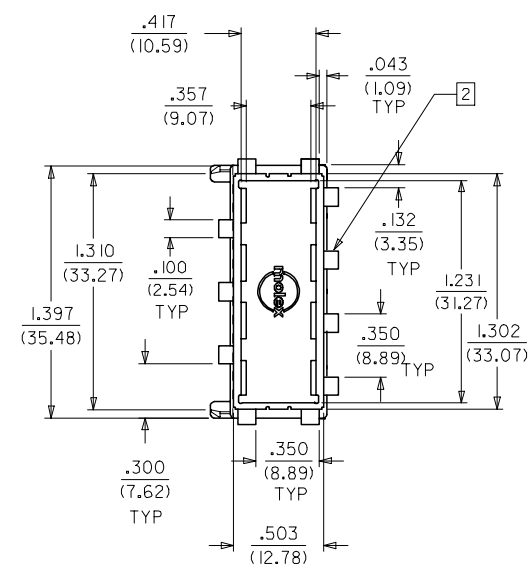
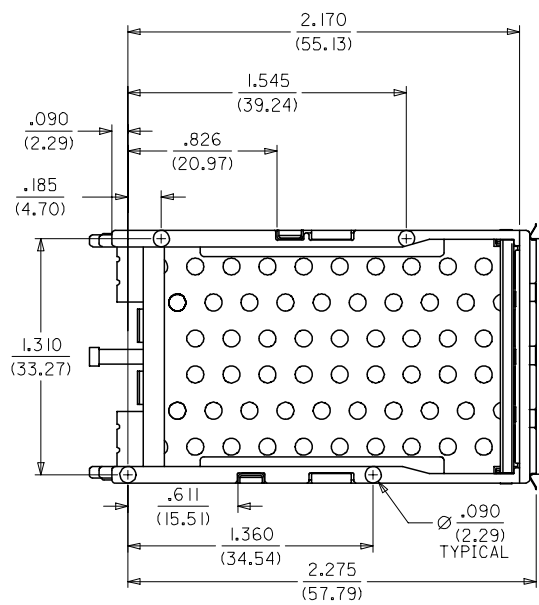


13 12 11 10 9 8 7 6 5 4 3 2 1

J
I
H
G
F
E
D
C
B
A

J
I
H
G
F
E
D
C
B
A



NOTES:

1. MAIN BODY, ZINC DIECAST, BRIGHT TIN PLATED
2. GASKET, STAMPED, PHOSPHER BRONZE, BRIGHT TIN PLATED
3. DOOR, ZINC DIECAST, BRIGHT NICKEL PLATED
4. EMI COVER, STAMPED BRASS ALLOY, BRIGHT TIN PLATED
5. TORTION SPRING, STAINLESS STEEL
- ⚠ BACK SIDE OF FRONT PANEL TO BE CONDUCTIVE.
- ⚠ MAXIMUM GASKET HEIGHT AND WIDTH WHEN INSERTED INTO FRONT PANEL, .682 AND 1.488 RESPECTIVELY.
- ⚠ -1001 VERSION DOES NOT HAVE THE MOLEX LOGO ON THE DOOR
- ⚠ DOOR IS BRIGHT TIN PLATED

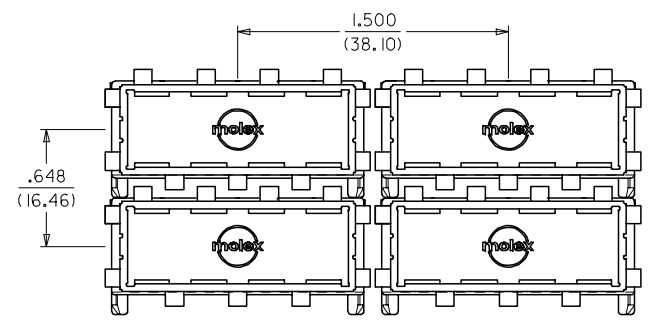
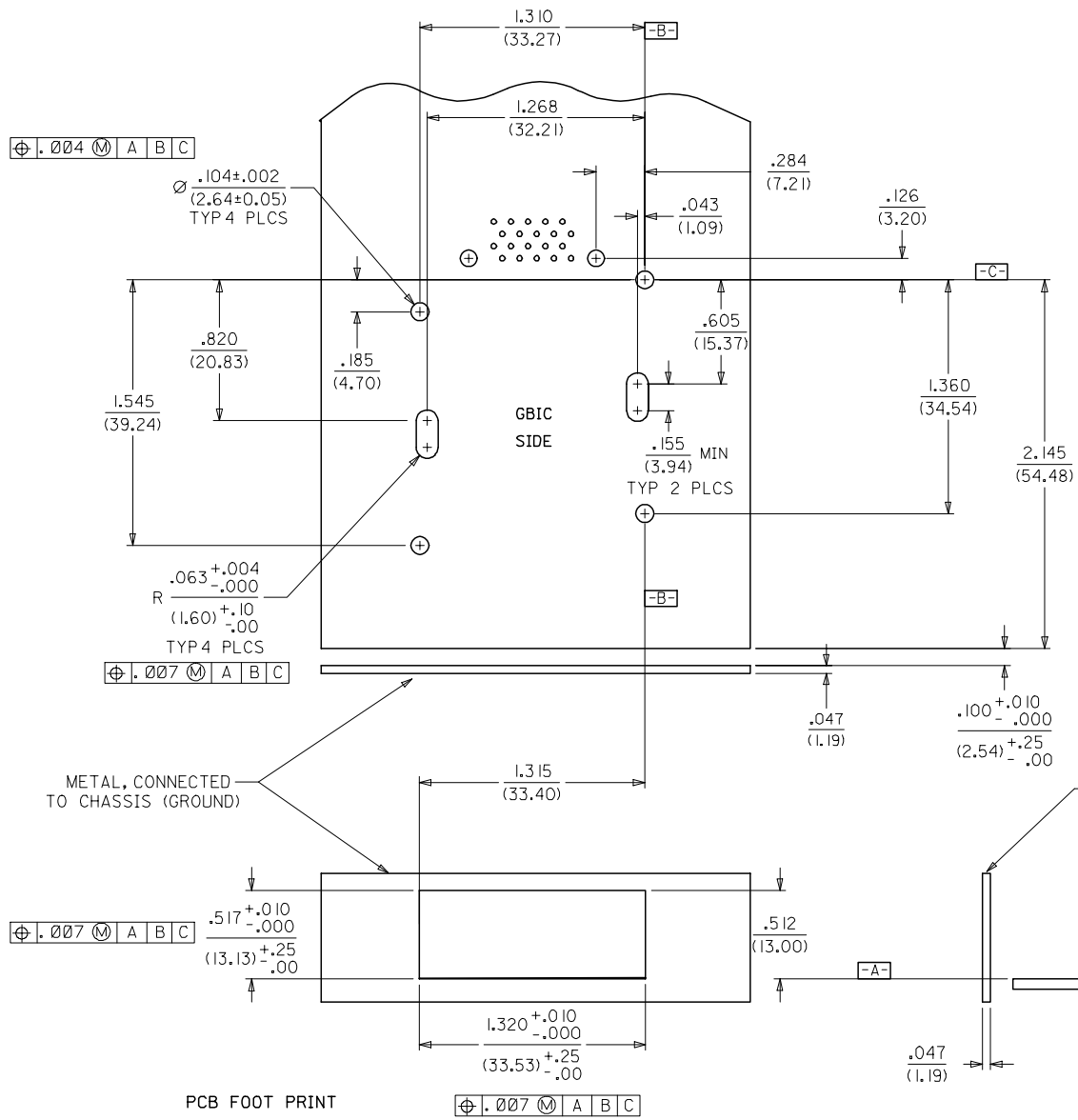
⚠	.062 (1.57)	.123 (3.12)	73847-1007
	.093 (2.36)	.154 (3.91)	73847-0004
⚠	.100 (2.54)	.161 (4.09)	73847-0003
	.085 (2.16)	.146 (3.71)	73847-0002
⚠	.062 (1.57)	.123 (3.12)	73847-0001
	.062 (1.57)	.123 (3.12)	73847-1001
	PCB THICKNESS	"B"	PART NUMBER

ENTER DESCRIPTION EC NO: USY2007-0073 DRAWN: JERWIN 2006/09/05 CHKD: JERWIN 2006/09/05 APPR: DDOYE 2006/09/05 REVISIONS	QUALITY SYMBOLS	GENERAL TOLERANCES (UNLESS SPECIFIED)	DIMENSION STYLE	SCALE	DESIGN UNITS	THIRD ANGLE PROJECTION	
	▽=0 ▽=0	mm INCH 4 PLACES ± --- ± --- 3 PLACES ± --- ± .005 2 PLACES ± 0.13 ± --- 1 PLACE ± --- ± --- ANGULAR ± --- °	MM/IN	MM/IN	METRIC	⊗	
				DRAWN BY: JERWIN DATE: 2006/08/28	TITLE: GBIC GUIDE ASSEMBLY		
				CHECKED BY: DDOYE DATE: 2006/08/28	MATERIAL NO. SD-73847-001		
			APPROVED BY: DDOYE DATE: 2006/08/28	MOLEX INCORPORATED			
		DRAFT WHERE APPLICABLE MUST REMAIN WITHIN DIMENSIONS	SIZE: C	DOCUMENT NO. SD-73847-001		SHEET NO. 1 OF 2	
THIS DRAWING CONTAINS INFORMATION THAT IS PROPRIETARY TO MOLEX INCORPORATED AND SHOULD NOT BE USED WITHOUT WRITTEN PERMISSION							

12 11 10 9 8 7 6 5 4 3 2 1

13 12 11 10 9 8 7 6 5 4 3 2 1

J I H G F E D C B A



MINIMUM STACK PITCH
SIDE TO SIDE AND TOP TO BOTTOM

METAL, CONNECTED TO CHASSIS (GROUND)

FRONT PANEL

PCB FOOT PRINT

PCB

ENTER DESCRIPTION EC NO: USY2007-0073 DRAWN: JERWIN 2006/09/05 CHKD: JERWIN APPR: DDOYE 2006/09/05 REVISION 2006/09/05	QUALITY SYMBOLS	GENERAL TOLERANCES (UNLESS SPECIFIED) <table border="1"> <tr> <th></th> <th>mm</th> <th>INCH</th> </tr> <tr> <td>4 PLACES</td> <td>± .005</td> <td>± .0005</td> </tr> <tr> <td>3 PLACES</td> <td>± .005</td> <td>± .0005</td> </tr> <tr> <td>2 PLACES</td> <td>± 0.13</td> <td>± .005</td> </tr> <tr> <td>1 PLACE</td> <td>± .005</td> <td>± .0005</td> </tr> </table>		mm	INCH	4 PLACES	± .005	± .0005	3 PLACES	± .005	± .0005	2 PLACES	± 0.13	± .005	1 PLACE	± .005	± .0005	DIMENSION STYLE	SCALE	DESIGN UNITS	THIRD ANGLE PROJECTION
			mm	INCH																	
	4 PLACES		± .005	± .0005																	
	3 PLACES		± .005	± .0005																	
2 PLACES	± 0.13	± .005																			
1 PLACE	± .005	± .0005																			
	MM/IN	1:1	METRIC		TITLE GBIC GUIDE ASSEMBLY																
	<table border="1"> <tr> <th>DATE</th> <th>BY</th> </tr> <tr> <td>2006/08/28</td> <td>JERWIN</td> </tr> <tr> <th>DATE</th> <th>BY</th> </tr> <tr> <td>2006/08/28</td> <td>DDOYE</td> </tr> <tr> <th>DATE</th> <th>BY</th> </tr> <tr> <td>2006/08/28</td> <td>DDOYE</td> </tr> </table>	DATE	BY	2006/08/28	JERWIN	DATE	BY	2006/08/28	DDOYE	DATE	BY	2006/08/28	DDOYE	MATERIAL NO. SEE CHART		DOCUMENT NO. SD-73847-001		SHEET NO. 2 OF 2			
DATE	BY																				
2006/08/28	JERWIN																				
DATE	BY																				
2006/08/28	DDOYE																				
DATE	BY																				
2006/08/28	DDOYE																				
DRAFT WHERE APPLICABLE MUST REMAIN WITHIN DIMENSIONS			THIS DRAWING CONTAINS INFORMATION THAT IS PROPRIETARY TO MOLEX INCORPORATED AND SHOULD NOT BE USED WITHOUT WRITTEN PERMISSION																		

12 11 10 9 8 7 6 5 4 3 2 1